

LIGHT

2023 NEW ARRIVAL



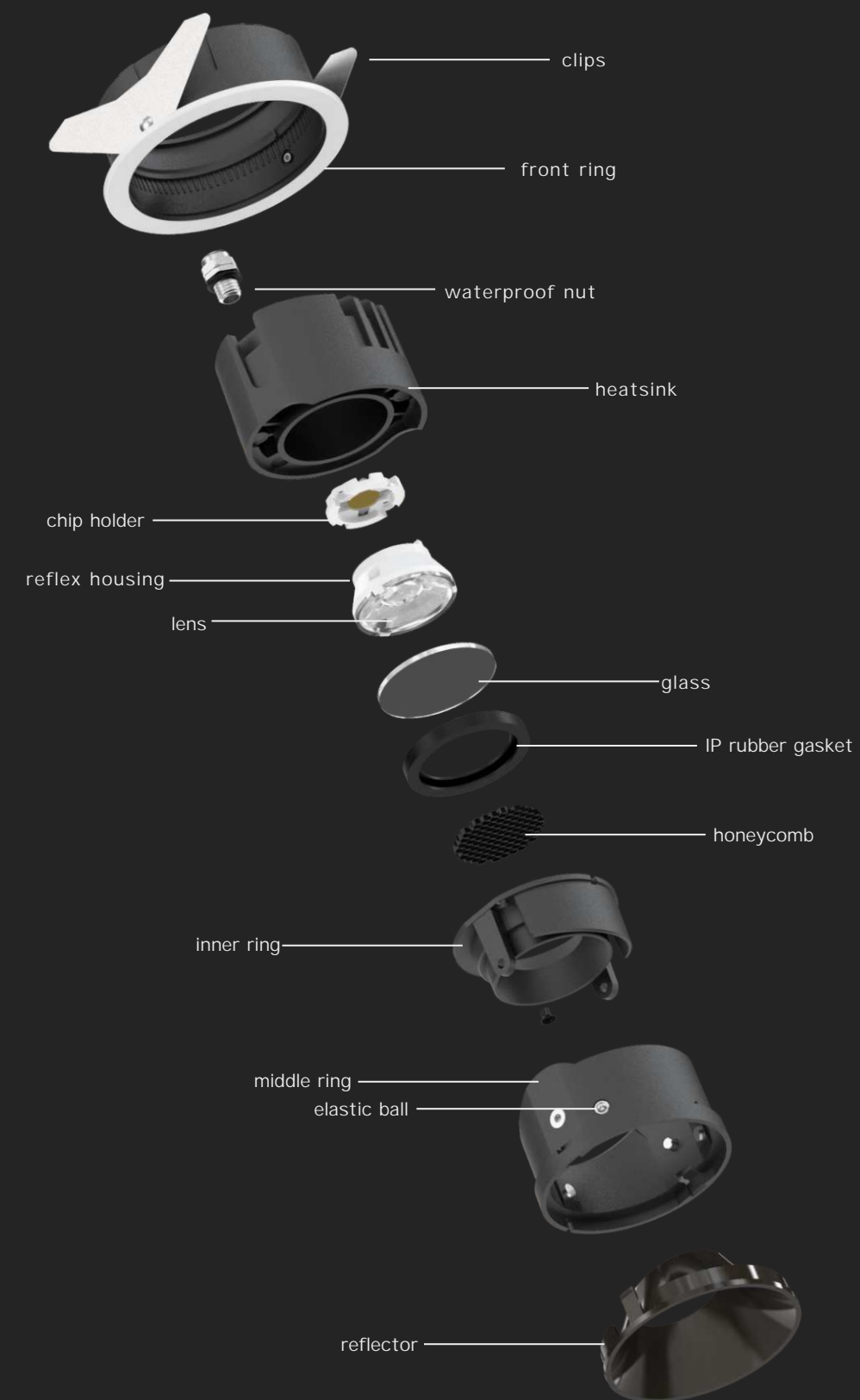
wall washer led spot lights-
for hotel,villa,restaurant,residence projects



WATERPROOF

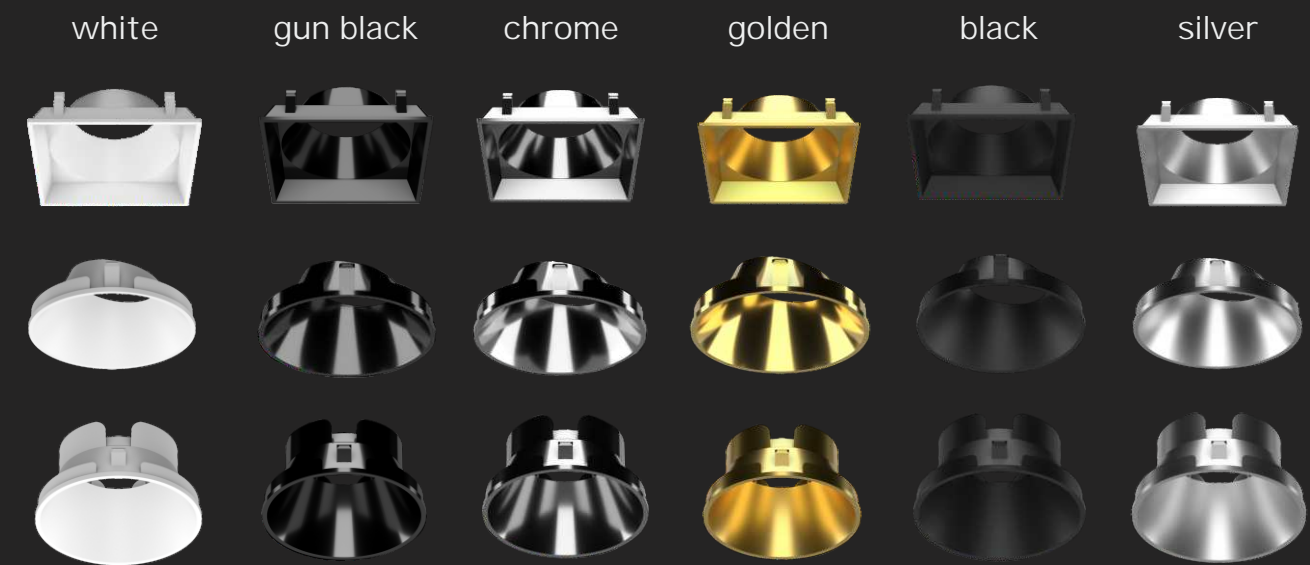
Unique Style

appearance design, optical devices and group mode structures,
the surface treatment of products, its uniqueness is reflected
everywhere





- 6 colors reflector options for various application
- exquisitely designed reflector, Electroplating and nano
- spray painting technology, high reflection efficiency



Modularization

Individual product appearance
Snap type modular structure, easy for
installation and maintenance



Assembled

Choose different combinations based on needs



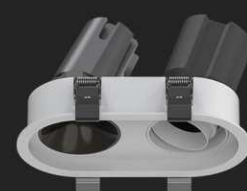
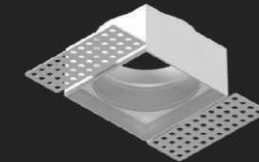
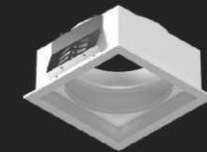
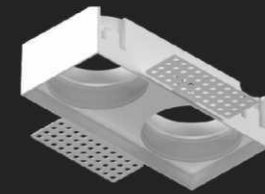
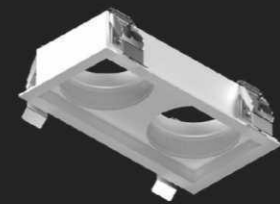
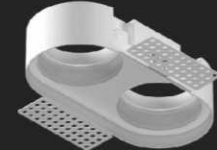
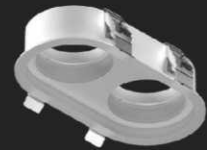
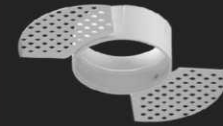
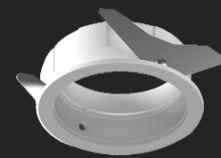
W=wall washer module

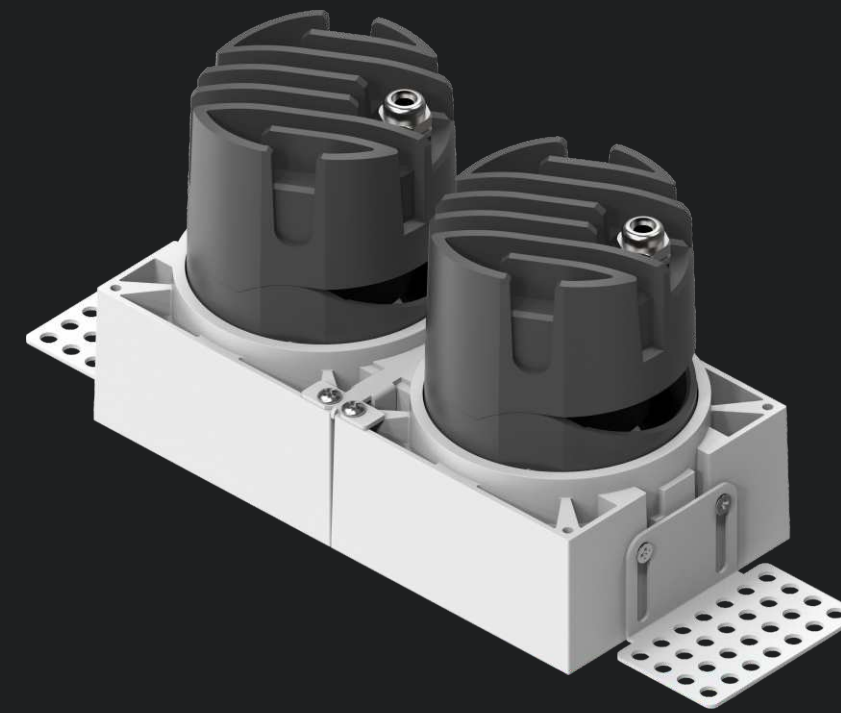
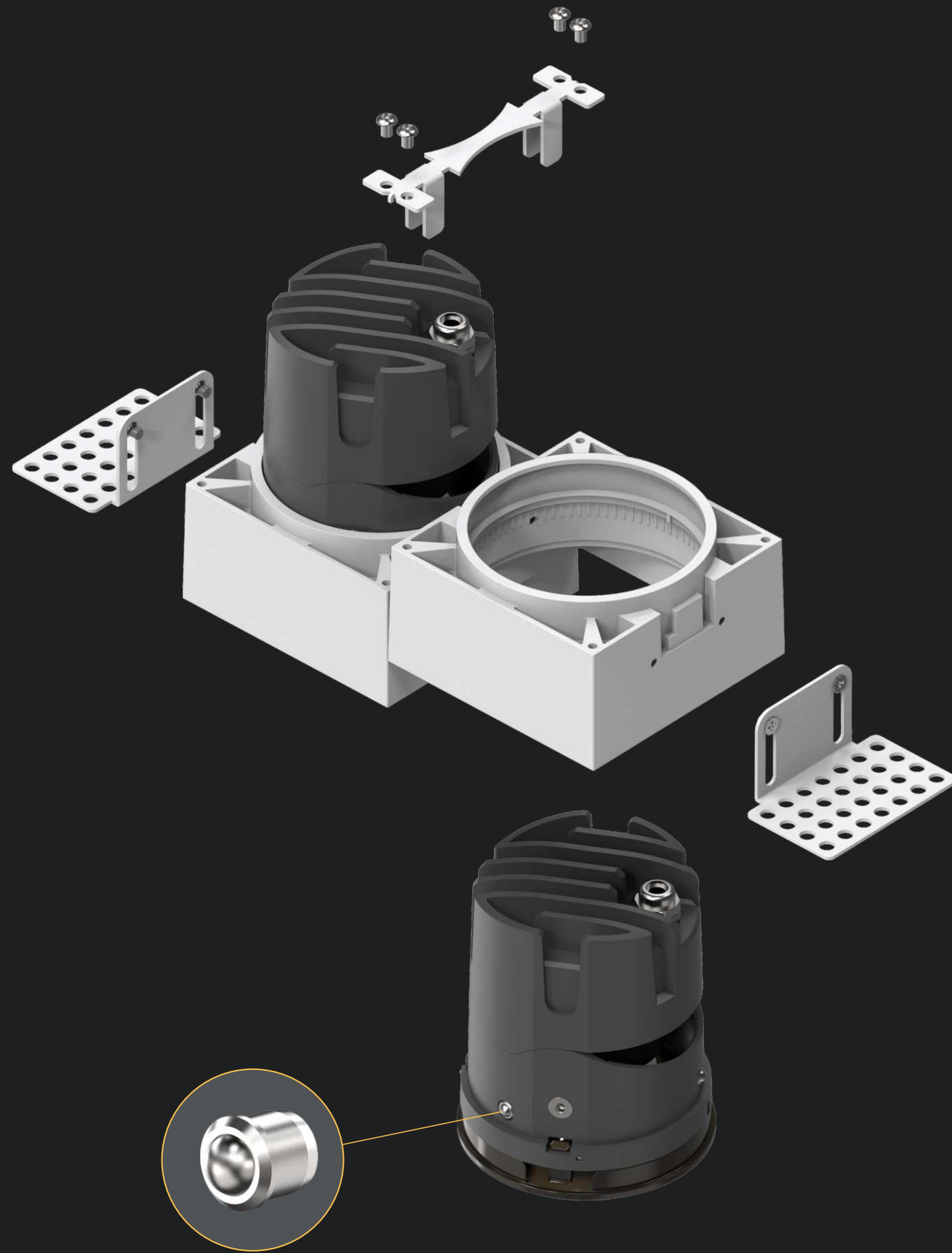


V=stretch module



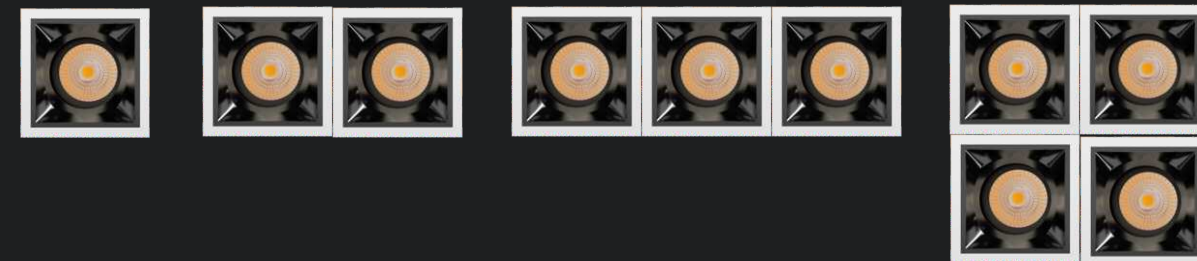
S=gimbal module





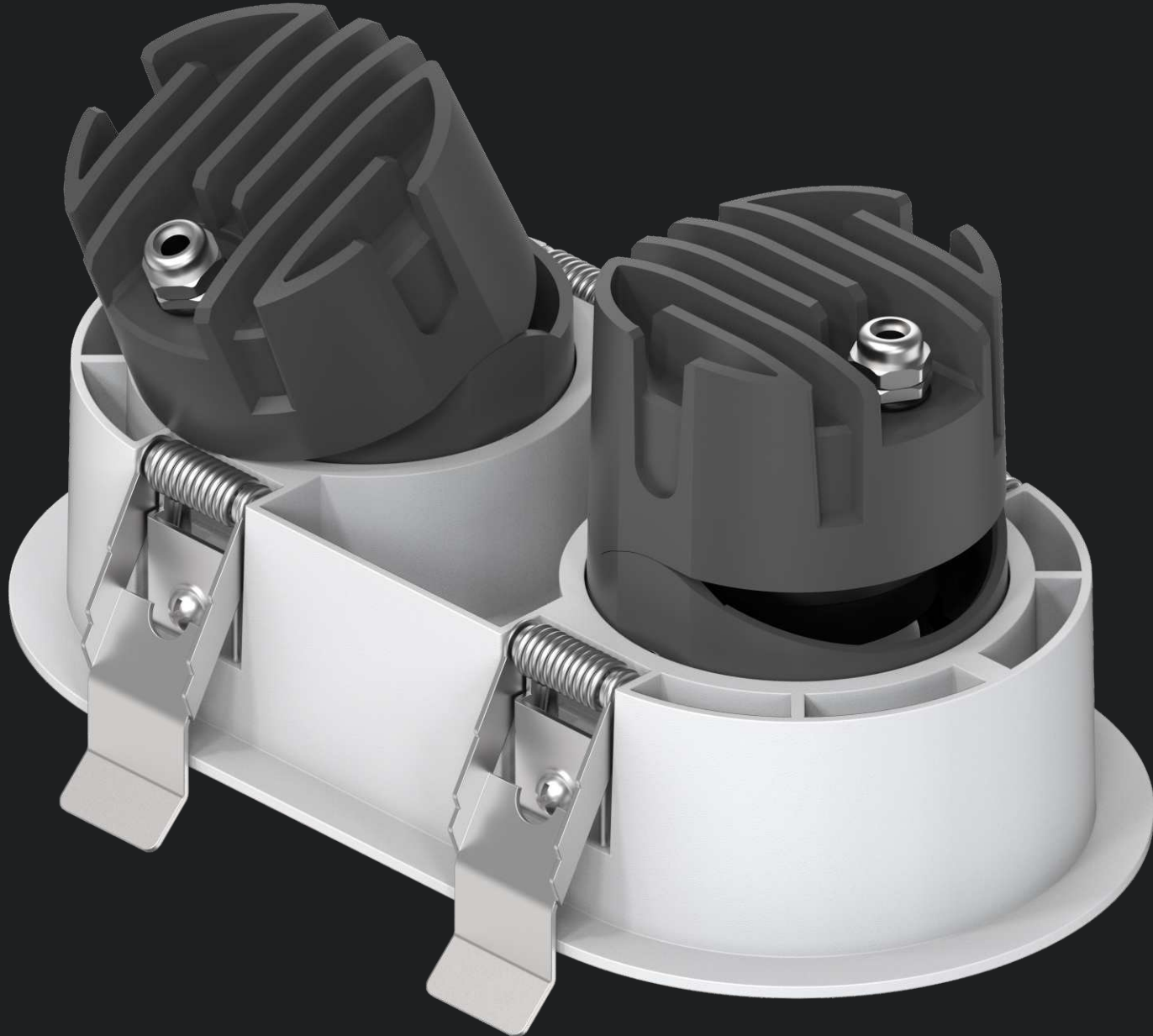
Free joint

Square frame provides flexible lighting mode
Free splicing like Tetris to provide sufficient
illumination for high-rise space

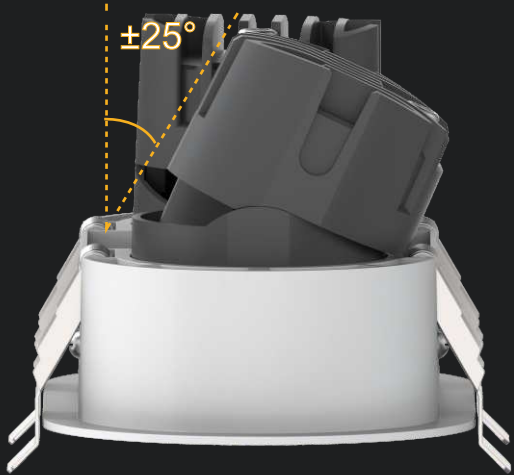


elastic ball snap structure
easy to replace lens,optics,drivers on the
ceiling,easy to install and maintain

Adjustable



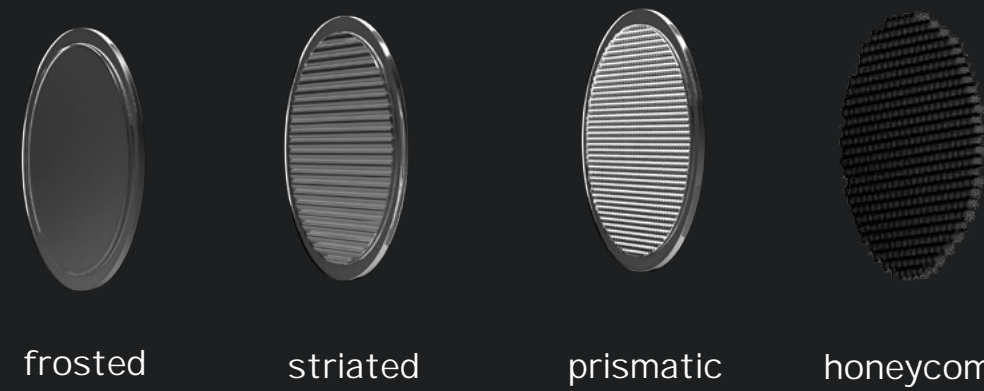
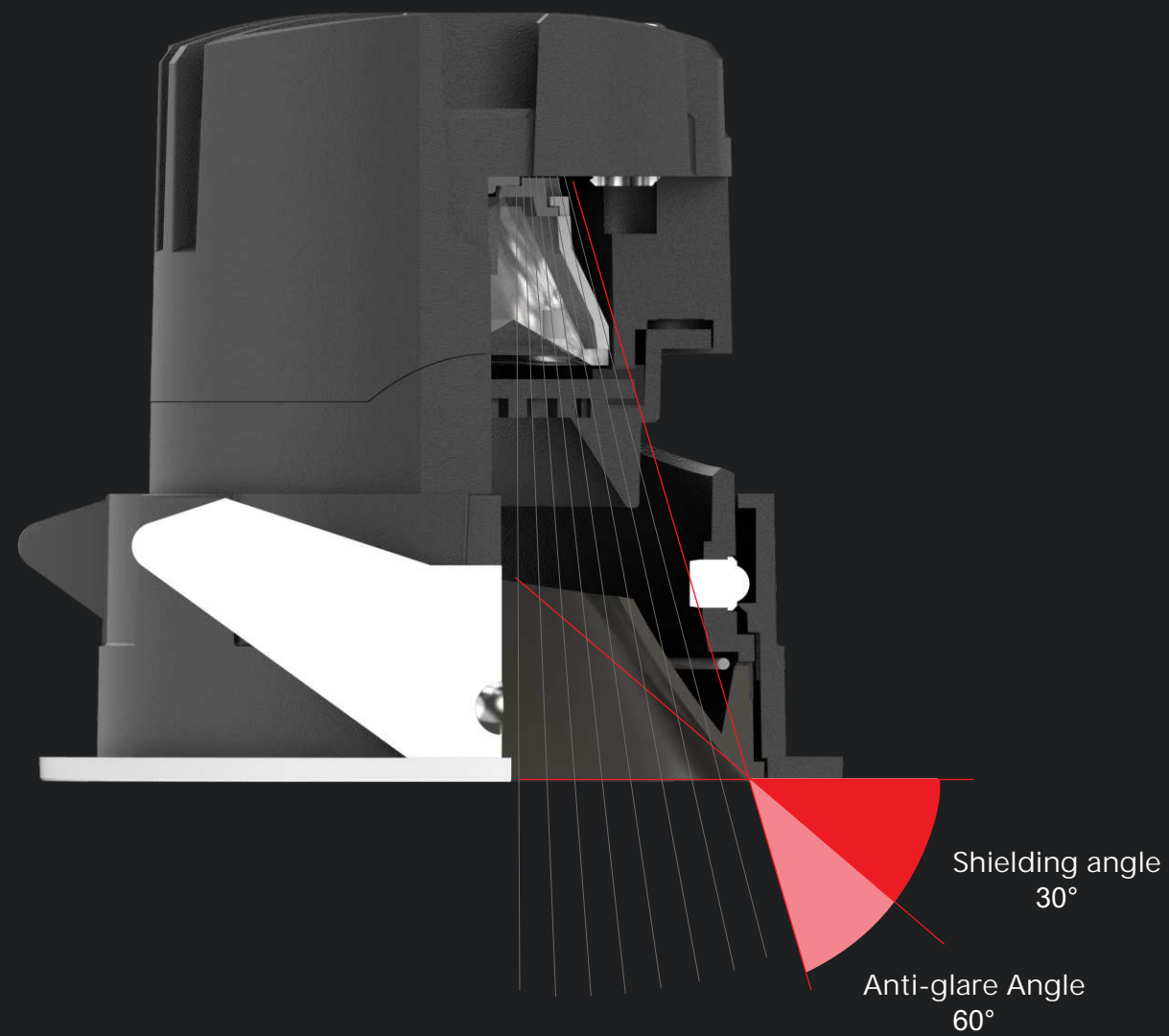
55 ° horizontal rotation
3 gears tilt angle adjustment, positioning
point inside, and proper resistance





Heights

standrd height for various projects
heightened for higher lumen output



Anti-glare

Optional optic and honeycomb for all series

With deep optical reflector, UGR<15, soft illumination

All range cutout

Φ55	Φ75	Φ95
7W 10W	12W 20W	20W 30W





Fully sealed waterproof structure inside the lamp body
Used for bathrooms, kitchens, and bathrooms.



Various beam angle

15°



24°

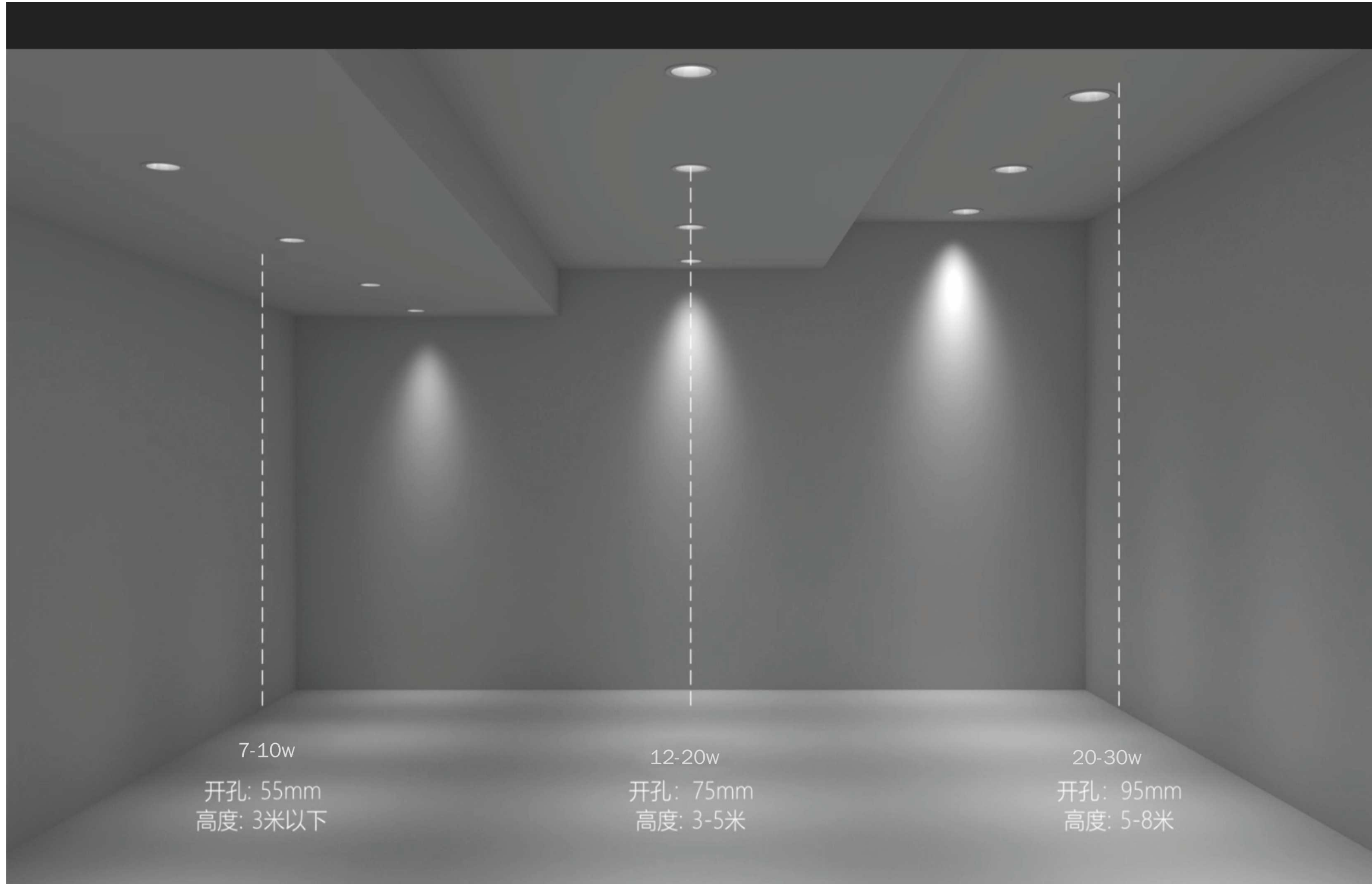


36°



60°





7-10w

开孔: 55mm
高度: 3米以下

12-20w

开孔: 75mm
高度: 3-5米

20-30w

开孔: 95mm
高度: 5-8米



Intelligent dimmable and tunal white

TRIAC/DALI/O-10/TUYA available



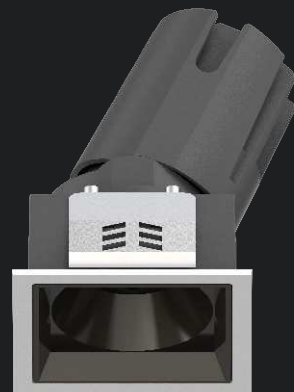
MODEL	POWER	CCT	CRI	BEAM	LAMP SIZE	CUTOUT	HEIGHT
BG-WF323	7W	2700K~5000K	Ra≥80	15° /24° /36° /60°	φ 62×70	φ 55	70
BG-WF324	12W	2700K~5000K	Ra≥80	15° /24° /36° /60°	φ 84×80	φ 75	80
BG-WF325	20W	2700K~5000K	Ra≥80	15° /24° /36° /60°	φ 110×110	φ 95	110



MODEL	POWER	CCT	CRI	BEAM	LAMP SIZE	CUTOUT	HEIGHT
BG-WG323	10W	2700K~5000K	Ra≥80	15° /24° /36° /60°	φ 62×85	φ 55	85
BG-WG324	20W	2700K~5000K	Ra≥80	15° /24° /36° /60°	φ 84×110	φ 75	110
BG-WG325	30W	2700K~5000K	Ra≥80	15° /24° /36° /60°	φ 110×130	φ 95	130



MODEL	POWER	CCT	CRI	BEAM	LAMP SIZE	CUTOUT	HEIGHT
BG-WF323-1	7W	2700K~5000K	Ra≥80	15° /24° /36° /60°	64×64×78	55×55	78
BG-WF324-1	12W	2700K~5000K	Ra≥80	15° /24° /36° /60°	85×85×91	75×75	91
BG-WF325-1	20W	2700K~5000K	Ra≥80	15° /24° /36° /60°	105×105×126	95×95	126



MODEL	POWER	CCT	CRI	BEAM	LAMP SIZE	CUTOUT	HEIGHT
BG-WG323-1	10W	2700K~5000K	Ra≥80	15° /24° /36° /60°	64×64×93	55×55	93
BG-WG324-1	20W	2700K~5000K	Ra≥80	15° /24° /36° /60°	85×85×121	75×75	121
BG-WG325-1	30W	2700K~5000K	Ra≥80	15° /24° /36° /60°	105×105×146	95×95	146



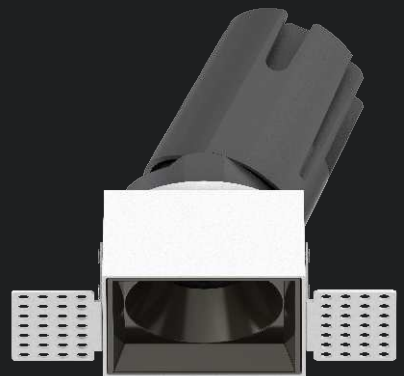
MODEL	POWER	CCT	CRI	BEAM	LAMP SIZE	CUTOUT	HEIGHT
BG-WF323	7W	2700K~5000K	Ra≥80	15° /24° /36° /60°	φ 53×70	φ 57	70
BG-WF324	12W	2700K~5000K	Ra≥80	15° /24° /36° /60°	φ 72×80	φ 77	80
BG-WF325	20W	2700K~5000K	Ra≥80	15° /24° /36° /60°	φ 91×110	φ 97	110



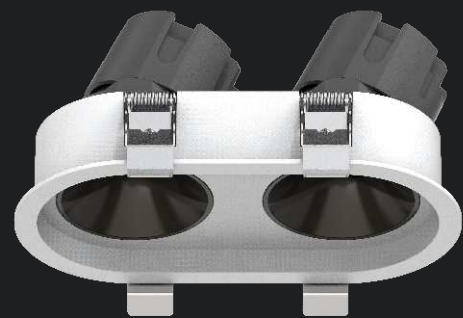
MODEL	POWER	CCT	CRI	BEAM	LAMP SIZE	CUTOUT	HEIGHT
BG-WG323	10W	2700K~5000K	Ra≥80	15° /24° /36° /60°	φ 53×85	φ 57	85
BG-WG324	20W	2700K~5000K	Ra≥80	15° /24° /36° /60°	φ 72×110	φ 77	110
BG-WG325	30W	2700K~5000K	Ra≥80	15° /24° /36° /60°	φ 91×130	φ 97	130



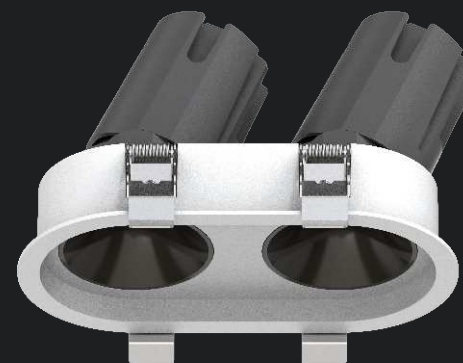
MODEL	POWER	CCT	CRI	BEAM	LAMP SIZE	CUTOUT	HEIGHT
BG-WF323-1	7W	2700K~5000K	Ra≥80	15° /24° /36° /60°	54×54×78	57×57	78
BG-WF324-1	12W	2700K~5000K	Ra≥80	15° /24° /36° /60°	74×74×91	77×77	91
BG-WF325-1	20W	2700K~5000K	Ra≥80	15° /24° /36° /60°	94×94×126	97×97	126



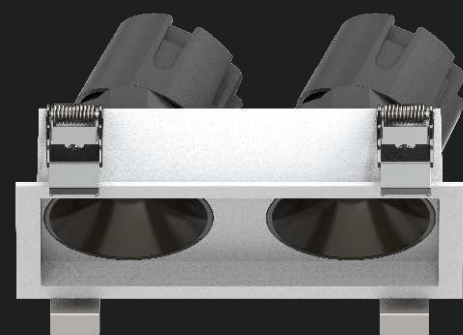
MODEL	POWER	CCT	CRI	BEAM	LAMP SIZE	CUTOUT	HEIGHT
BG-WG323-1	10W	2700K~5000K	Ra≥80	15° /24° /36° /60°	54×54×93	57×57	93
BG-WG324-1	20W	2700K~5000K	Ra≥80	15° /24° /36° /60°	74×74×121	77×77	121
BG-WG325-1	30W	2700K~5000K	Ra≥80	15° /24° /36° /60°	94×94×146	97×97	146



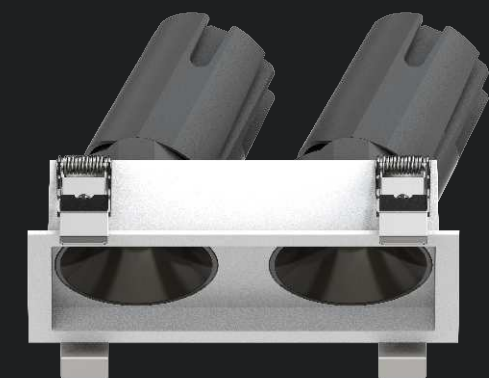
MODEL	POWER	CCT	CRI	BEAM	LAMP SIZE	CUTOUT	HEIGHT
BG-T-WF323	2×7W	2700K~5000K	Ra≥80	15° /24° /36° /60°	140×79×75	φ 126×65	75
BG-T-WF324	2×12W	2700K~5000K	Ra≥80	15° /24° /36° /60°	194×104×91	φ 178×88	91
BG-T-WF325	2×20W	2700K~5000K	Ra≥80	15° /24° /36° /60°	239×125×122	φ 223×109	122



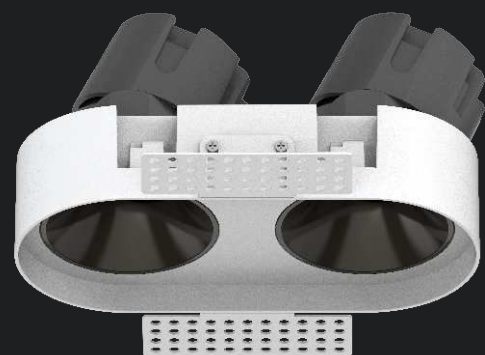
MODEL	POWER	CCT	CRI	BEAM	LAMP SIZE	CUTOUT	HEIGHT
BG-T-WG323	2×10W	2700K~5000K	Ra≥80	15° /24° /36° /60°	140×79×90	φ 126×65	90
BG-T-WG324	2×20W	2700K~5000K	Ra≥80	15° /24° /36° /60°	194×104×121	φ 178×88	121
BG-T-WG325	2×30W	2700K~5000K	Ra≥80	15° /24° /36° /60°	239×125×142	φ 223×109	142



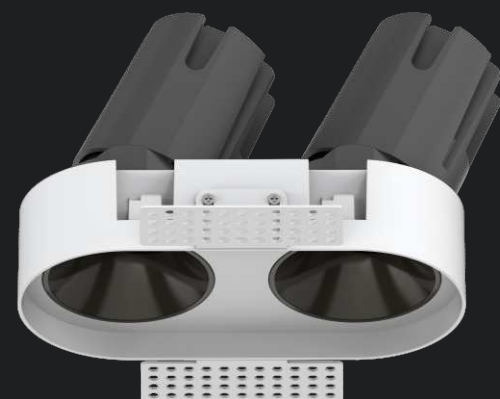
MODEL	POWER	CCT	CRI	BEAM	LAMP SIZE	CUTOUT	HEIGHT
BG-C-WF323	2×7W	2700K~5000K	Ra≥80	15° /24° /36° /60°	130×69×75	122×60	75
BG-C-WF324	2×12W	2700K~5000K	Ra≥80	15° /24° /36° /60°	180×91×91	164×77	91
BG-C-WF325	2×20W	2700K~5000K	Ra≥80	15° /24° /36° /60°	224×110×122	207×95	122



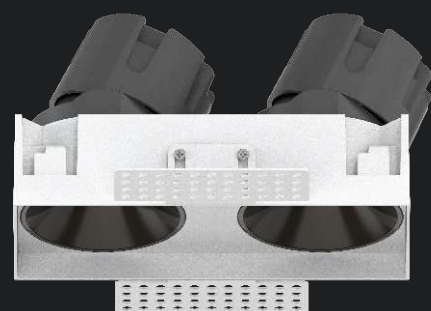
MODEL	POWER	CCT	CRI	BEAM	LAMP SIZE	CUTOUT	HEIGHT
BG-C-WG323	2×10W	2700K~5000K	Ra≥80	15° /24° /36° /60°	130×69×90	122×60	90
BG-C-WG324	2×20W	2700K~5000K	Ra≥80	15° /24° /36° /60°	180×91×121	164×77	121
BG-C-WG325	2×30W	2700K~5000K	Ra≥80	15° /24° /36° /60°	224×110×142	207×95	142



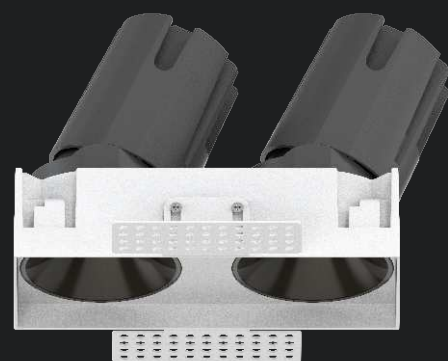
MODEL	POWER	CCT	CRI	BEAM	LAMP SIZE	CUTOUT	HEIGHT
BG-T-WF323	2×7W	2700K~5000K	Ra≥80	15° /24° /36° /60°	126×65×75	φ 128×67	75
BG-T-WF324	2×12W	2700K~5000K	Ra≥80	15° /24° /36° /60°	177×87×91	φ 180×90	91
BG T-WF325	2×20W	2700K~5000K	Ra≥80	15° /24° /36° /60°	222×108×122	φ 225×111	122



MODEL	POWER	CCT	CRI	BEAM	LAMP SIZE	CUTOUT	HEIGHT
BG-T-WG323	2×10W	2700K~5000K	Ra≥80	15° /24° /36° /60°	126×65×90	φ 128×67	90
BG-T-WG324	2×20W	2700K~5000K	Ra≥80	15° /24° /36° /60°	177×87×121	φ 180×90	121
BG-T-WG325	2×30W	2700K~5000K	Ra≥80	15° /24° /36° /60°	222×108×142	φ 225×111	142



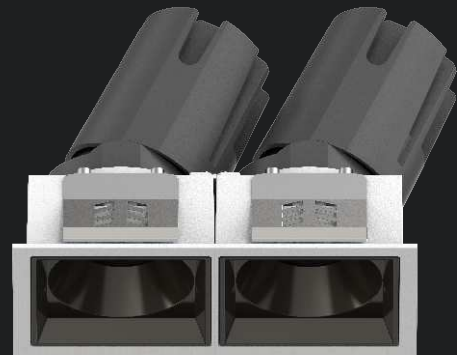
MODEL	POWER	CCT	CRI	BEAM	LAMP SIZE	CUTOUT	HEIGHT
BG-C-WF323	2×7W	2700K~5000K	Ra≥80	15° /24° /36° /60°	116×55×75	118×60	75
BG-C-WF324	2×12W	2700K~5000K	Ra≥80	15° /24° /36° /60°	163×74×91	165×77	91
BG-C-WF325	2×20W	2700K~5000K	Ra≥80	15° /24° /36° /60°	207×93×122	209×97	122



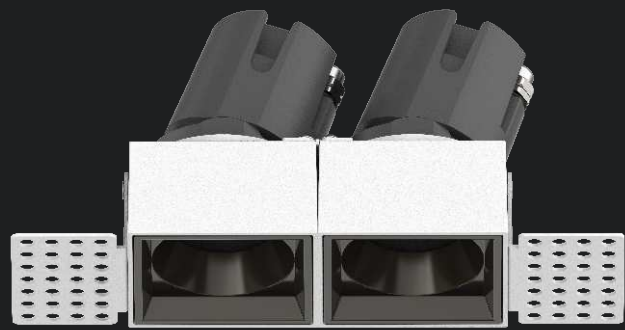
MODEL	POWER	CCT	CRI	BEAM	LAMP SIZE	CUTOUT	HEIGHT
JMS-C-WF323	2×10W	2700K~5000K	Ra≥80	15° /24° /36° /60°	116×55×90	118×60	90
JMS-C-WF324	2×20W	2700K~5000K	Ra≥80	15° /24° /36° /60°	163×74×121	165×77	121
JMS-C-WF325	2×30W	2700K~5000K	Ra≥80	15° /24° /36° /60°	207×93×142	209×97	142



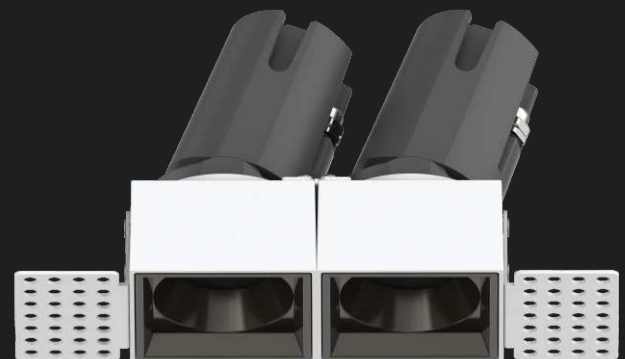
MODEL	POWER	CCT	CRI	BEAM	LAMP SIZE	CUTOUT	HEIGHT
BG-WF323-2	2×7W	2700K~5000K	Ra≥80	15° /24° /36° /60°	117×64×78	109×55	78
BG-WF324-2	2×12W	2700K~5000K	Ra≥80	15° /24° /36° /60°	158×84×91	150×75	91
BG-WF325-2	2×20W	2700K~5000K	Ra≥80	15° /24° /36° /60°	198×105×126	190×95	126



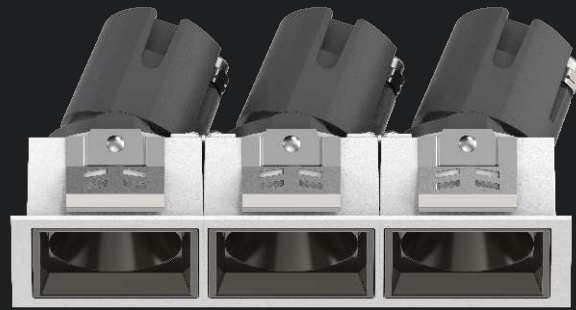
MODEL	POWER	CCT	CRI	BEAM	LAMP SIZE	CUTOUT	HEIGHT
BG-WG323-2	2×10W	2700K~5000K	Ra≥80	15° /24° /36° /60°	117×64×93	109×55	93
BG-WG324-2	2×20W	2700K~5000K	Ra≥80	15° /24° /36° /60°	158×84×121	150×75	121
BG-WG325-2	2×30W	2700K~5000K	Ra≥80	15° /24° /36° /60°	198×105×146	190×95	146



MODEL	POWER	CCT	CRI	BEAM	LAMP SIZE	CUTOUT	HEIGHT
BG-WF323-2	2×7W	2700K~5000K	Ra≥80	15° /24° /36° /60°	108×54×78	111×57	78
BG-WF324-2	2×12W	2700K~5000K	Ra≥80	15° /24° /36° /60°	147×74×91	152×77	91
BG-WF325-2	2×20W	2700K~5000K	Ra≥80	15° /24° /36° /60°	187×94×126	192×97	126



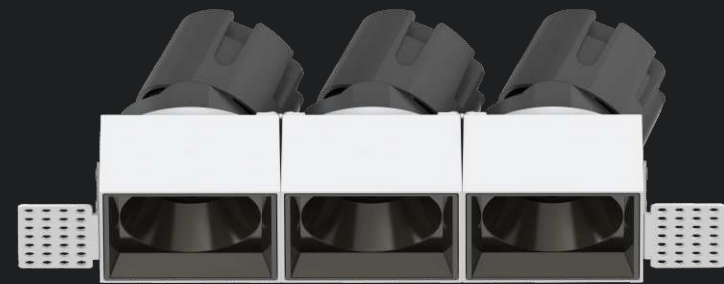
MODEL	POWER	CCT	CRI	BEAM	LAMP SIZE	CUTOUT	HEIGHT
BG-WG323-2	2×10W	2700K~5000K	Ra≥80	15° /24° /36° /60°	108×54×93	111×57	93
BG-WG324-2	2×20W	2700K~5000K	Ra≥80	15° /24° /36° /60°	147×74×121	152×77	121
BG-WG325-2	2×30W	2700K~5000K	Ra≥80	15° /24° /36° /60°	187×94×146	192×97	146



MODEL	POWER	CCT	CRI	BEAM	LAMP SIZE	CUTOUT	HEIGHT
BG-WF323-3	3 × 7W	2700K~5000K	Ra ≥ 80	15° /24° /36° /60°	171 × 64 × 78	163 × 55	78
BG-WF324-3	3 × 12W	2700K~5000K	Ra ≥ 80	15° /24° /36° /60°	232 × 85 × 91	222 × 75	91
BG-WF325-3	3 × 20W	2700K~5000K	Ra ≥ 80	15° /24° /36° /60°	292 × 105 × 126	284 × 95	126



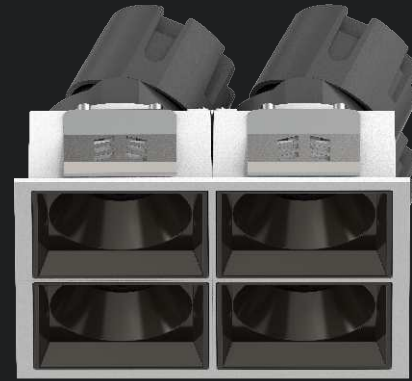
MODEL	POWER	CCT	CRI	BEAM	LAMP SIZE	CUTOUT	HEIGHT
BG-WG323-3	3 × 10W	2700K~5000K	Ra ≥ 80	15° /24° /36° /60°	171 × 64 × 93	163 × 55	93
BG-WG324-3	3 × 20W	2700K~5000K	Ra ≥ 80	15° /24° /36° /60°	232 × 85 × 121	222 × 75	121
BG-WG325-3	3 × 30W	2700K~5000K	Ra ≥ 80	15° /24° /36° /60°	292 × 105 × 146	284 × 95	146



MODEL	POWER	CCT	CRI	BEAM	LAMP SIZE	CUTOUT	HEIGHT
BG-WF323-3	3 × 7W	2700K~5000K	Ra ≥ 80	15° /24° /36° /60°	162 × 54 × 78	165 × 57	78
BG-WF324-3	3 × 12W	2700K~5000K	Ra ≥ 80	15° /24° /36° /60°	221 × 74 × 91	225 × 77	91
BG-WF325-3	3 × 20W	2700K~5000K	Ra ≥ 80	15° /24° /36° /60°	281 × 94 × 126	285 × 97	126



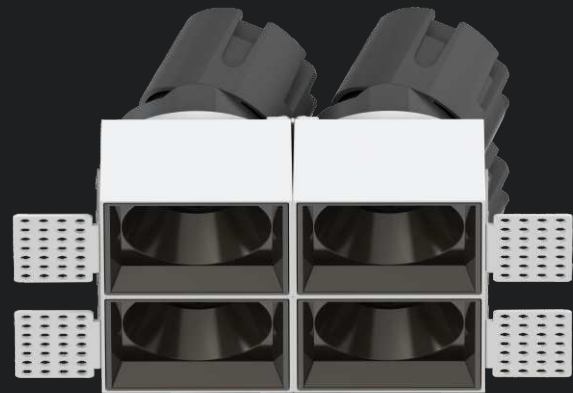
MODEL	POWER	CCT	CRI	BEAM	LAMP SIZE	CUTOUT	HEIGHT
BG-WG323-3	3 × 10W	2700K~5000K	Ra ≥ 80	15° /24° /36° /60°	162 × 54 × 93	165 × 57	93
BG-WG324-3	3 × 20W	2700K~5000K	Ra ≥ 80	15° /24° /36° /60°	221 × 74 × 121	225 × 77	121
BG-WG325-3	3 × 30W	2700K~5000K	Ra ≥ 80	15° /24° /36° /60°	281 × 94 × 146	285 × 97	146



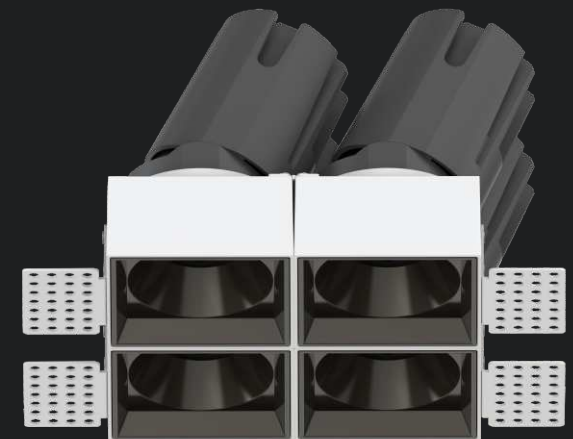
MODEL	POWER	CCT	CRI	BEAM	LAMP SIZE	CUTOUT	HEIGHT
BG-WF323-4	4 × 7W	2700K~5000K	Ra ≥ 80	15° /24° /36° /60°	117 × 117 × 78	109 × 109	78
BG-WF324-4	4 × 12W	2700K~5000K	Ra ≥ 80	15° /24° /36° /60°	158 × 158 × 91	150 × 150	91
BG-WF325-4	4 × 20W	2700K~5000K	Ra ≥ 80	15° /24° /36° /60°	198 × 198 × 126	190 × 190	126



MODEL	POWER	CCT	CRI	BEAM	LAMP SIZE	CUTOUT	HEIGHT
BG-WG323-4	4 × 10W	2700K~5000K	Ra ≥ 80	15° /24° /36° /60°	117 × 117 × 93	109 × 109	93
BG-WG324-4	4 × 20W	2700K~5000K	Ra ≥ 80	15° /24° /36° /60°	158 × 158 × 121	150 × 150	121
BG-WG325-4	4 × 30W	2700K~5000K	Ra ≥ 80	15° /24° /36° /60°	198 × 198 × 146	190 × 190	146



MODEL	POWER	CCT	CRI	BEAM	LAMP SIZE	CUTOUT	HEIGHT
BG-WF323-4	4 × 7W	2700K~5000K	Ra ≥ 80	15° /24° /36° /60°	108 × 108 × 78	111 × 111	78
BG-WF324-4	4 × 12W	2700K~5000K	Ra ≥ 80	15° /24° /36° /60°	147 × 147 × 91	152 × 152	91
BG-WF325-4	4 × 20W	2700K~5000K	Ra ≥ 80	15° /24° /36° /60°	187 × 187 × 126	192 × 192	126



MODEL	POWER	CCT	CRI	BEAM	LAMP SIZE	CUTOUT	HEIGHT
BG-WG323-4	4 × 10W	2700K~5000K	Ra ≥ 80	15° /24° /36° /60°	108 × 108 × 93	111 × 111	93
BG-WG324-4	4 × 20W	2700K~5000K	Ra ≥ 80	15° /24° /36° /60°	147 × 147 × 121	152 × 152	121
BG-WG325-4	4 × 30W	2700K~5000K	Ra ≥ 80	15° /24° /36° /60°	187 × 187 × 146	192 × 192	146



EASY INSTALLTION

3 cutout for different space
normal installtion and trimless available





Zhongshan Boyin Lighting Factory

Address: No. 12 Liqun Road, Henglan Town,
Zhongshan City, Guangdong

Contacts: Simon Shi

Whatsapp/Wechat: +86 18825396785

Mail: simon_lighting@hotmail.com



THANK YOU!