



NEW 2021
COLLECTION
UPDATE

美

从最少开起

黑色表面轨道系统

对于以装修好和不破坏房屋原有的面貌，后装照明非常好的选择，易安装.易维修。它是由一条1.5²橡胶导体电缆:把每束光线变成一个重做的延伸，带间接排列和连续还可以带悬空在墙与墙之间;不同的光模块组合在一起具有特殊的装饰性，变成发光的路径布置房间并作为基础和重点照明组成的系统:射灯，线性射灯和悬挂灯来自同一家族的产品。

黑色表面轨道系统是光、通信、装饰元素,互换性。这是进化和革命。

AESTHETIC

START WITH THE MINIMUM

BLACK SURFACE TRACK SERIES

IN ORDER TO RENOVATE AND NOT DESTROY THE ORIGINAL APPEARANCE OF THE HOUSE, REAR LIGHTING IS A VERY GOOD CHOICE, EASY TO INSTALL. EASY MAINTENANCE .IT IS MADE UP OF A 1.5² RUBBER CONDUCTOR CABLE: TO PUT EACH BEAM OF LIGHT THE LINE BECOMES A REDO EXTENSION, WITH INDIRECT PERMUTATIONS AND CONTINUOUS CAN ALSO BE SUSPENDED BETWEEN THE WALL AND THE WALL; DIFFERENT THE COMBINATION OF LIGHT MODULES HAS SPECIAL DECORATIVE PROPERTIES, TURN INTO LUMINOUS PATHS TO DECORATE THE ROOM AND SERVE AS A BASE AND KEY LIGHTING SYSTEMS: SPOTLIGHTS, LINEAR SPOTLIGHTS AND HANGING LIGHTS COME FROM THE SAME FAMILY OF PRODUCTS. THE BLACK SURFACE TRACK SYSTEM IS LIGHT, COMMUNICATION, DECORATIVE ELEMENTS, INTERCHANGEABILITY. THIS IS EVOLUTION AND REVOLUTION.





设计 适应任何 建筑情况

完全设计和制造

黑色表面安装轨道系统

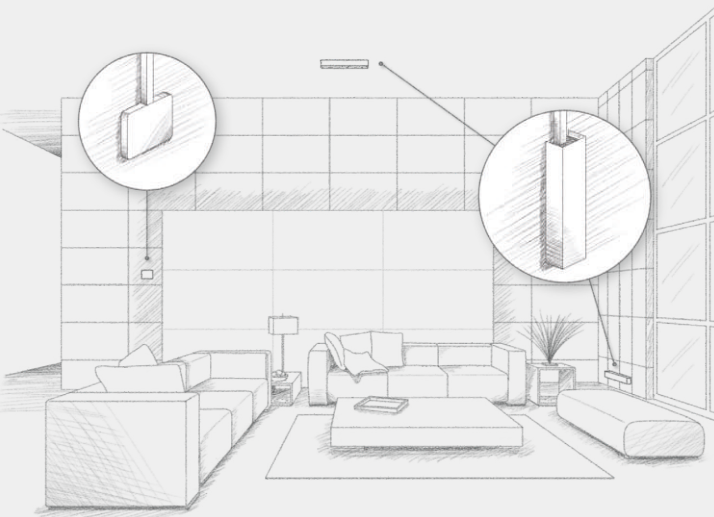
是完美的解决方案克服由现有的不完整的电力系统引起的所有问题或者环境限制:拥挤不堪空间、珍贵材料不受影响,缺乏足够数量的光线点,到不可能安装远程驱动程序。

简而言之:最大限度的通用性,在任何环境下有相当安装可塑性

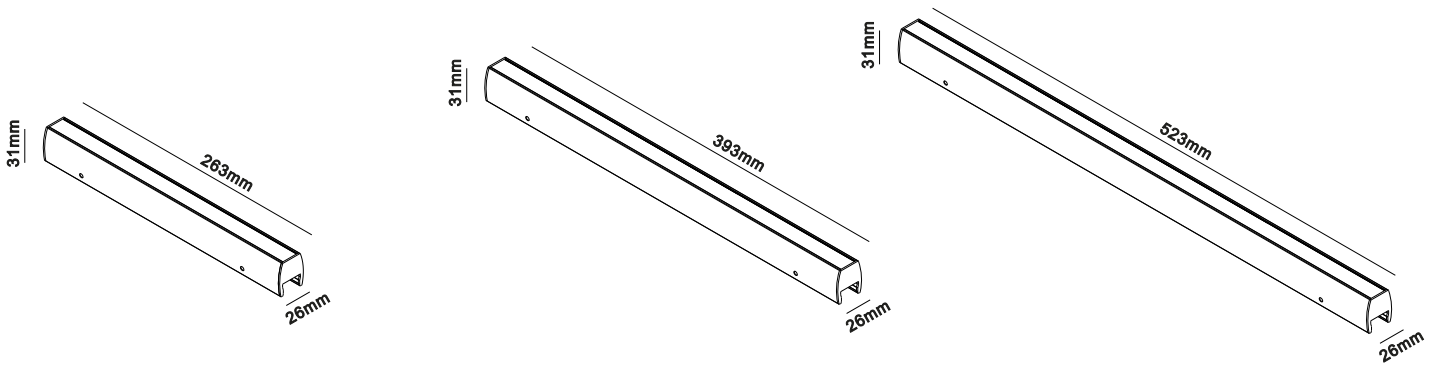


DESIGN TO ADAPT TO ANY CONSTRUCTION SITUATION

completely designed and manufactured black surface mounted track system is the perfect solution to overcome by existing incompleteness all problems or environmental constraints caused by the power system system: crowded space, precious materials are not affected, lack of sufficient number of light points to make installation impossible remote drivers. in short: maximum versatility in any the environment has considerable mounting plasticity







R18-C0218-260A

LED: 8W/ 640LM

Lens: 110°

Adjustable: 0°

CCT: 3000K 4000K

Color : White Black

DC-24V



R18-C0218-390A

LED: 12W/ 960LM

Lens: 110°

Adjustable: 0°

CCT: 3000K 4000K

Color : White Black

DC-24V



R18-C0218-520A

LED: 16W/ 1280LM

Lens: 110°

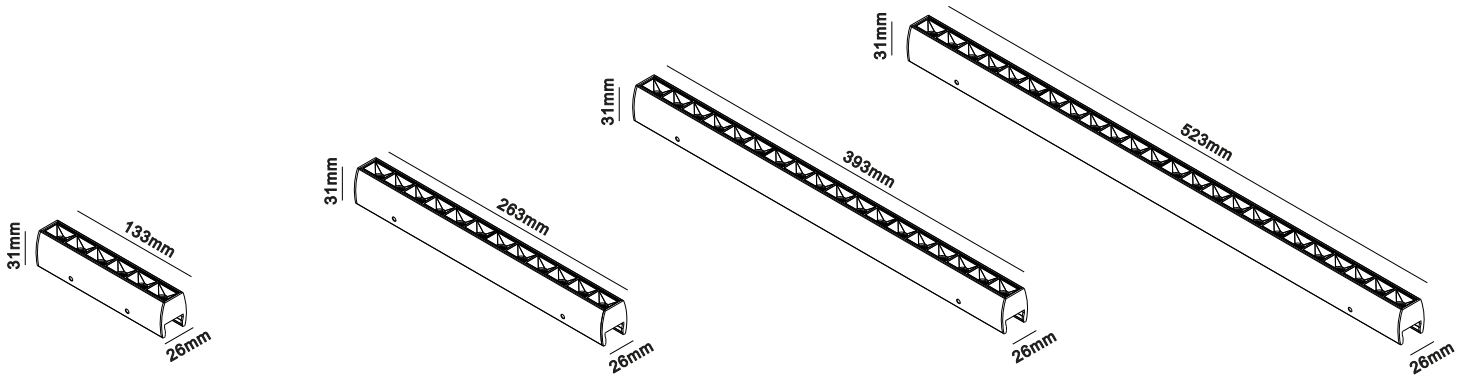
Adjustable: 0°

CCT: 3000K 4000K

Color : White Black

DC-24V





R18-C0218-6A

LED: 4W/ 320LM

Lens: 28°

Adjustable: 0°

CCT: 3000K 4000K

Color : White Black

DC-24V

R18-C0218-12A

LED: 8W/ 640LM

Lens: 28°

Adjustable: 0°

CCT: 3000K 4000K

Color : White Black

DC-24V

R18-C0218-18A

LED: 12W/ 960LM

Lens: 110°

Adjustable: 0°

CCT: 3000K 4000K

Color : White Black

DC-24V

R18-C0218-24A

LED: 16W/ 1280LM

Lens: 110°

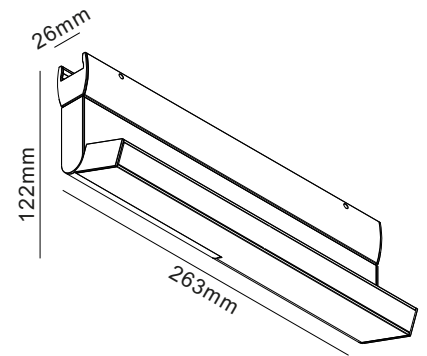
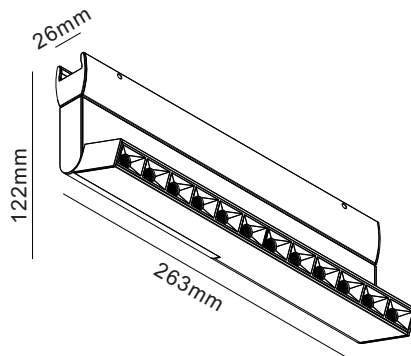
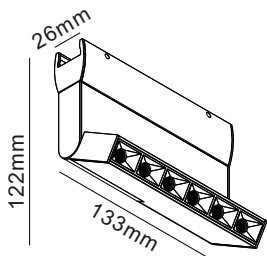
Adjustable: 0°

CCT: 3000K 4000K

Color : White Black

DC-24V





R18-C0216-6A

LED: 4W/ 320LM

Lens: 28°

Adjustable: 355°

CCT: 3000K 4000K

Color : White Black

DC-24V



R18-C0216-12A

LED: 8W/ 640LM

Lens: 28°

Adjustable: 355°

CCT: 3000K 4000K

Color : White Black

DC-24V



R18-C0216-260A

LED: 8W/ 640LM

Lens: 110°

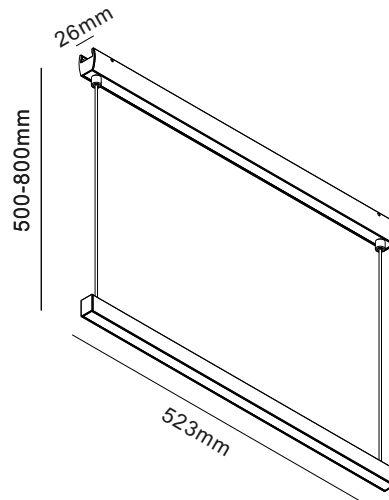
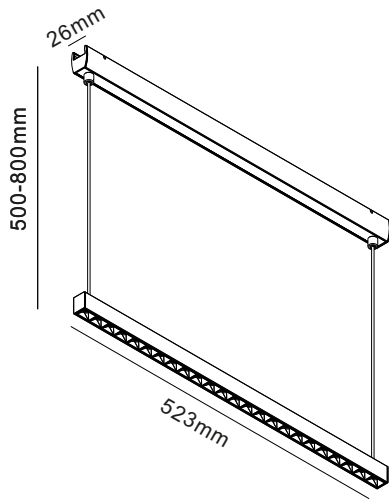
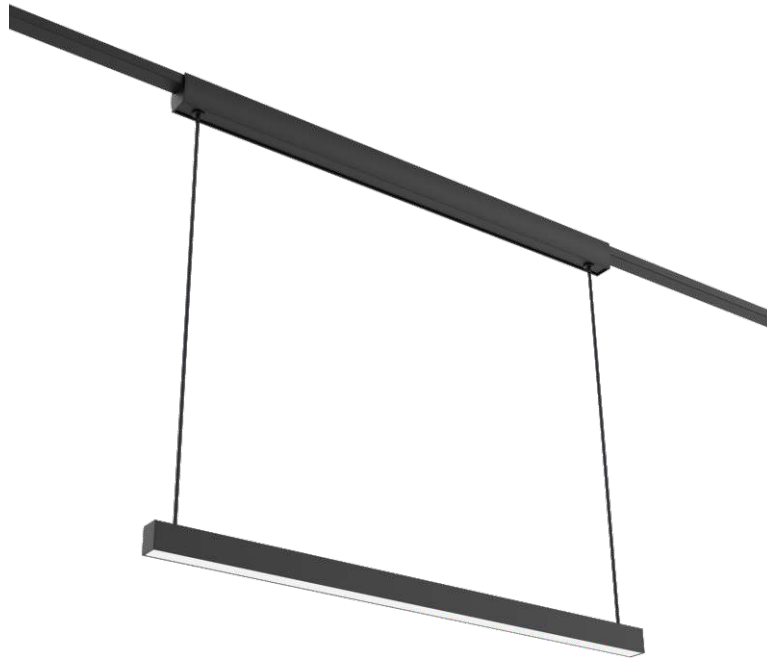
Adjustable: 355°

CCT: 3000K 4000K

Color : White Black

DC-24V





R18-C0221-24A

LED: 16W/ 1280LM

Lens: 28°

Can be highly: 50-80cm

CCT: 3000K 4000K

Color : White Black

DC-24V



R18-C0221-520A

LED: 16W/ 1280LM

Lens: 110°

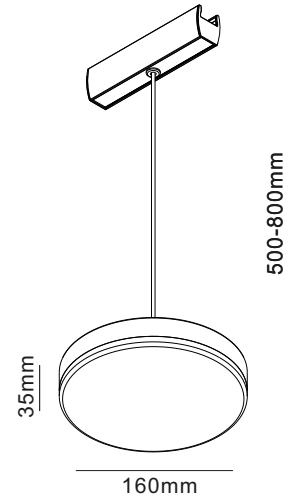
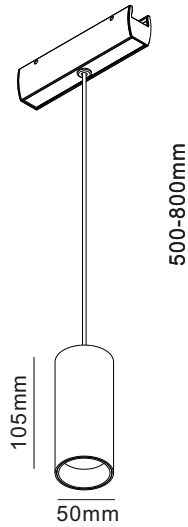
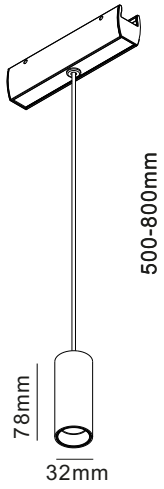
Can be highly: 50-80cm

CCT: 3000K 4000K

Color : White Black

DC-24V





R18-C0221-5A

LED: 5W/ 400LM

Lens: 24°

Can be highly: 50-80cm

CCT: 3000K 4000K

Color : White Black

DC-24V



R18-C0221-10A

LED: 10W/ 800LM

Lens: 24°

Can be highly: 50-80cm

CCT: 3000K 4000K

Color : White Black

DC-24V



R18-C0221-10B

LED: 10W/ 800LM

Lens: 110°

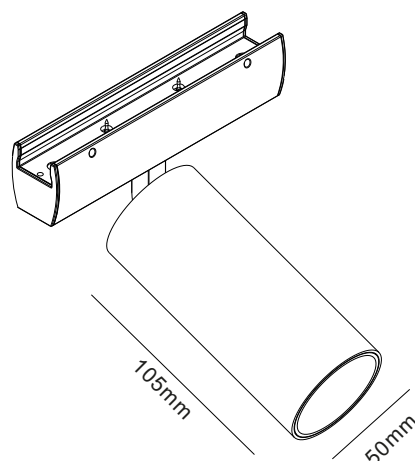
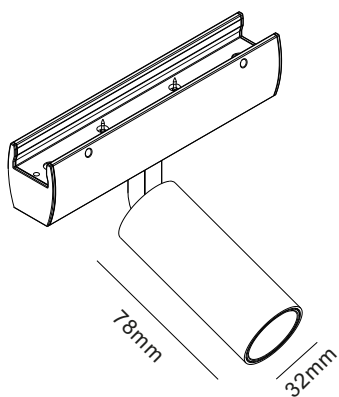
Can be highly: 50-80cm

CCT: 3000K 4000K

Color : White Black

DC-24V





R18-C0220-5A

LED: 5W/ 400LM

Lens: 24°

Adjustable: 355°

CCT: 3000K 4000K

Color : White Black

DC-24V



R18-C0220-10A

LED: 10W/ 800LM

Lens: 24°

Adjustable: 355°

CCT: 3000K 4000K

Color : White Black

DC-24V





ACCESSORIES



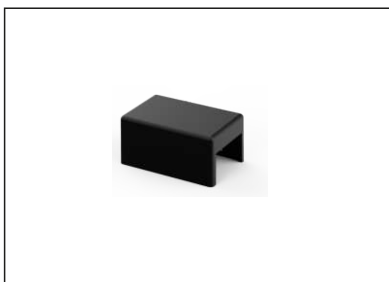
R18-接力头
R18 - RELAY



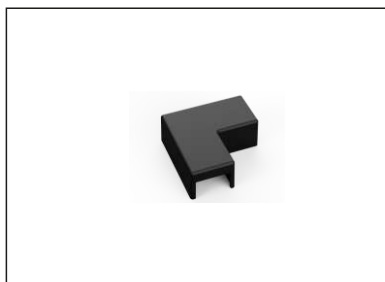
R18-电源盒120W/180W
R18- POWER BOX 120W/180W



R18-接线盒
R18 - JUNCTION BOX



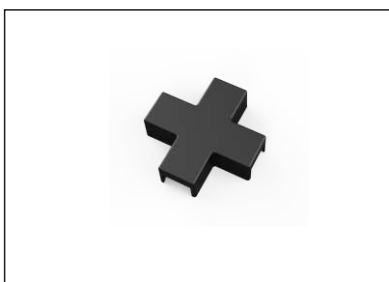
R18-轨道堵头
R18- TRACK PLUG



R18-轨道L转角
R18 - L CORNER



R18-轨道T转角
R18-T CORNER



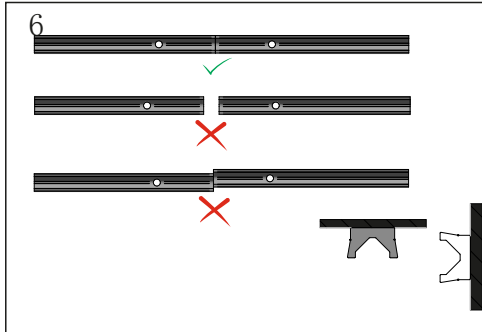
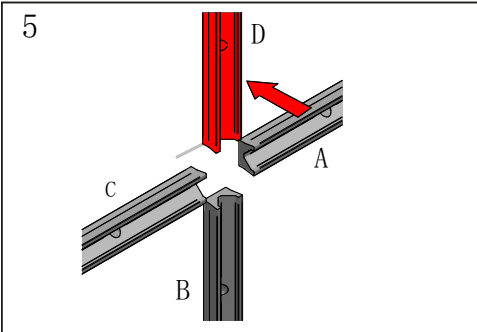
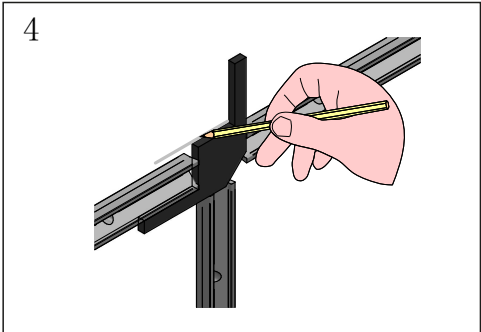
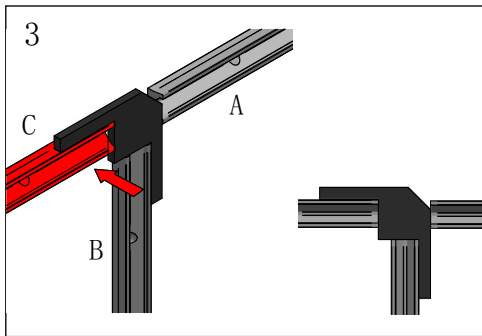
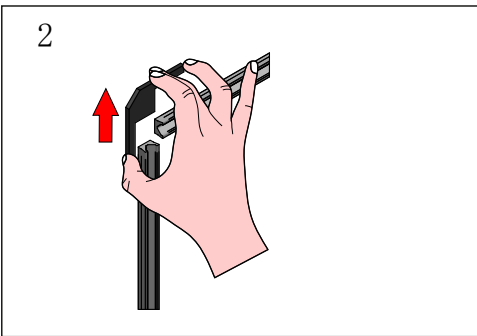
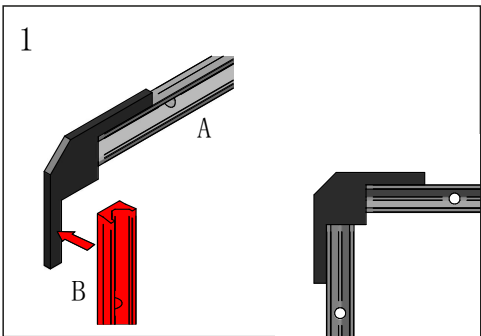
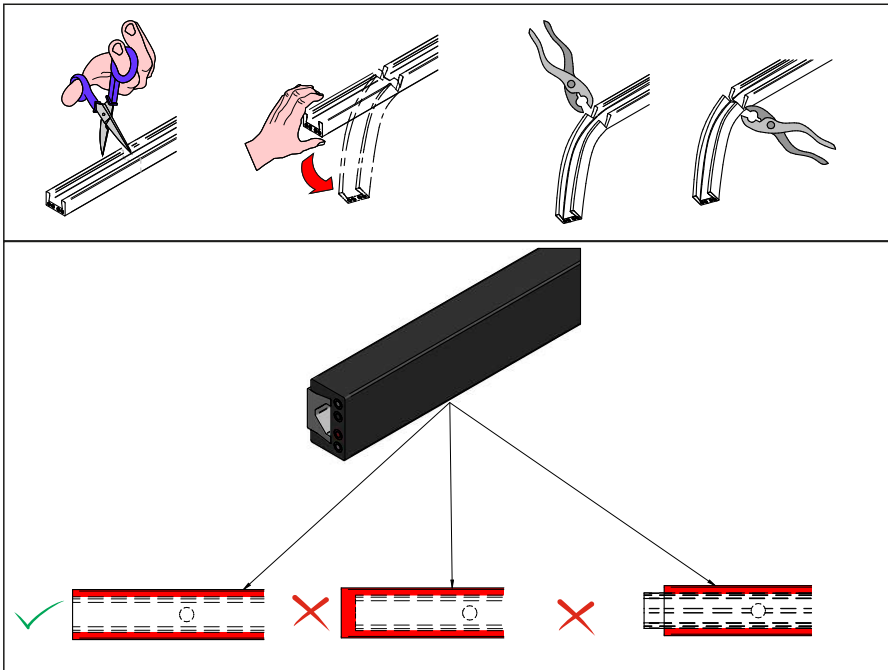
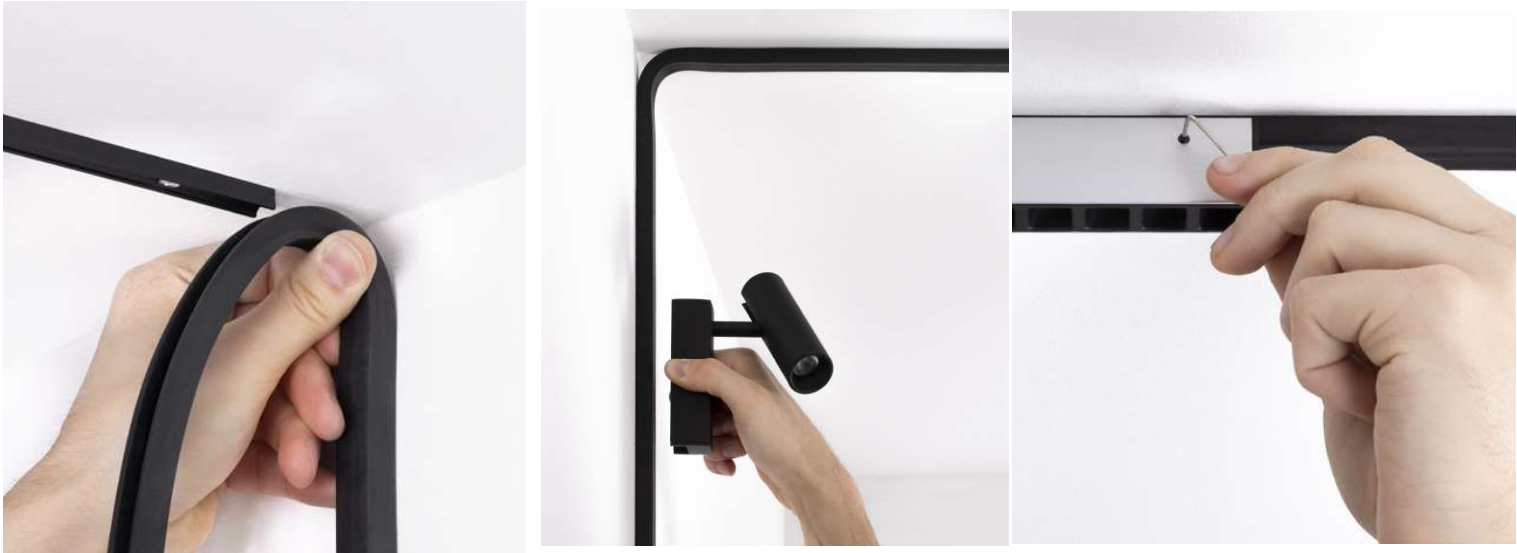
R18-轨道十字转角
R18- 十 CORNER



R18-割线尺
R18 - SECANT LINE RULE



R18-角尺
R18 - SQUARE





当环境由于缺乏空间

不允许暗装电源，就要选择明装电源盒，为系统的电源供应DC24V电压，使用适当的电源R18-电源盒120W/180W驱动程序选择的电源驱动取决于安装的长度和灯具的数量，建议选择大于总功率的20%电源驱动被安置在一个优雅的盖子内，完全覆盖安全，结合优秀的保护与优雅的外观美学

WHEN THE ENVIRONMENT DUE TO LACK OF SPACE

Do not allow the hidden power supply it is necessary to choose the power box, Supply DC24V voltage to the power supply of the system. Use appropriately The Power R18- Power Box 120W/180W Driver The power drive you choose depends on the length of the installation and the lamp With the number of, it is recommended to choose more than 20% of the total power The power drive is housed in an elegant lid, Complete coverage of security, combining excellent protection with excellence Elegant appearance aesthetics



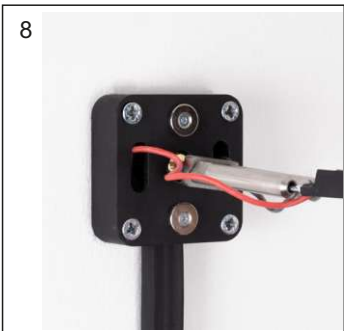
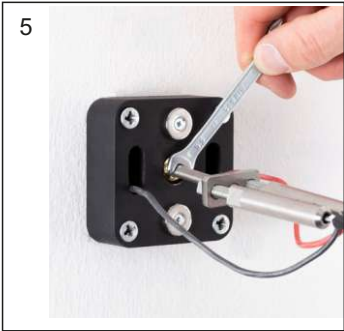
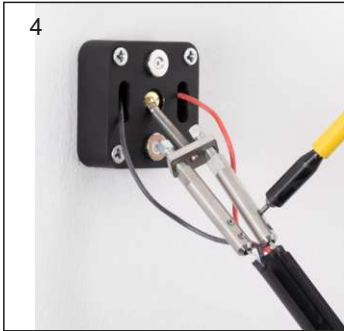
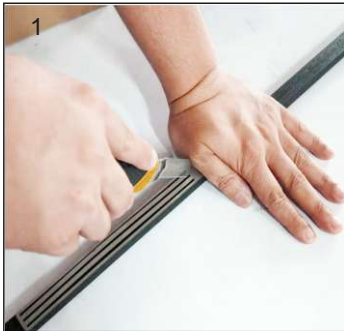


暗藏式驱动电源安装接线盒

这是一种可以暗装电源后通过这款接线盒连接起轨道的装置它是根据86盒UL盒的尺寸来设计，孔距有80-90MM完全可以
把86盒装饰盖起通过内部接线的方式达到驱动电源的完美连接

MOUNTING JUNCTION BOX WITH HIDDEN DRIVE POWER

This is a hidden power supply can be connected to the track through this junction box The device is designed according to the size of UL box, and the hole pitch of 80-90mm is completely acceptable The 86 boxes of decoration cover through the internal wiring way to achieve the perfect connection of the driving power









你的光明 | 未来的证明
Your Light | Future Proof